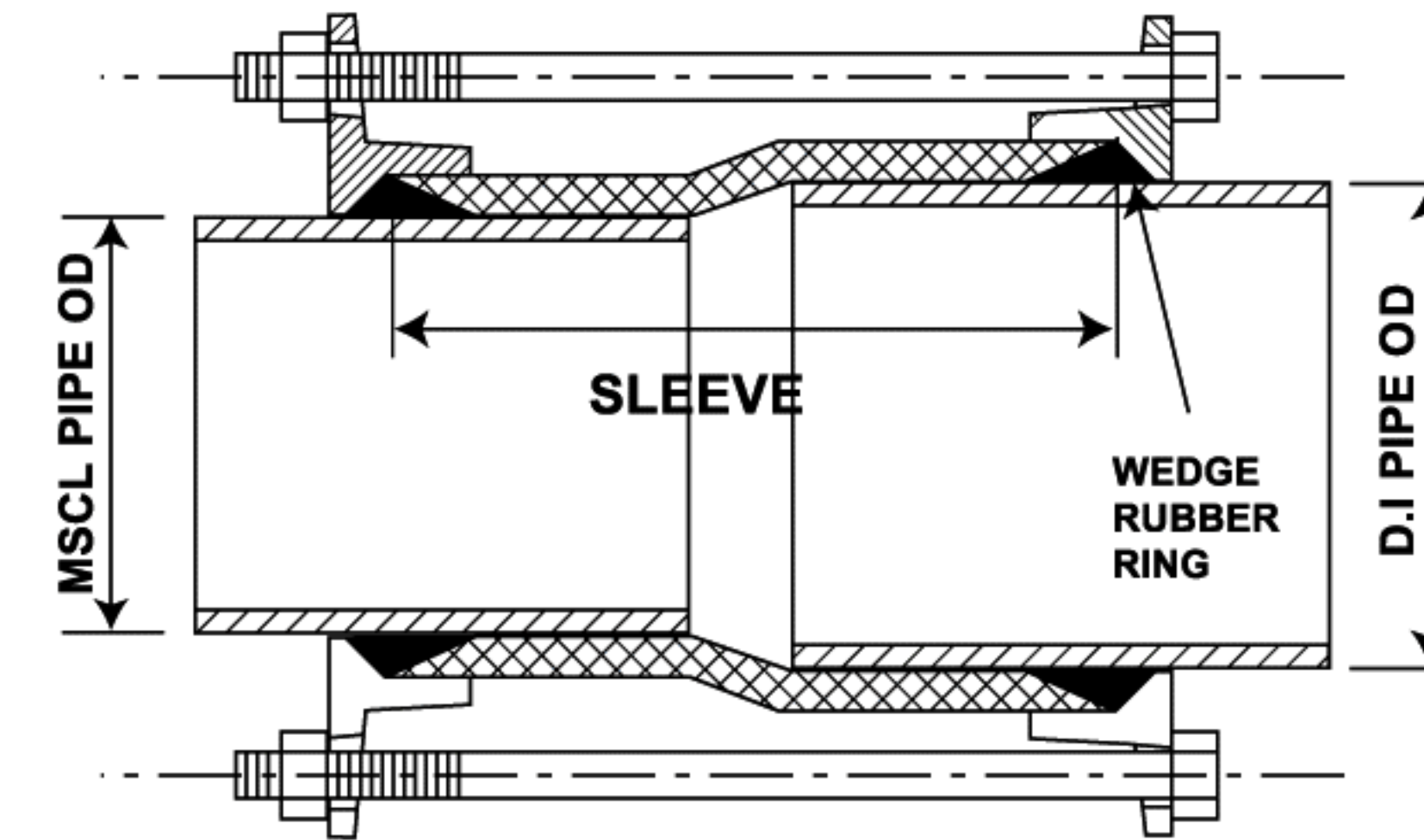
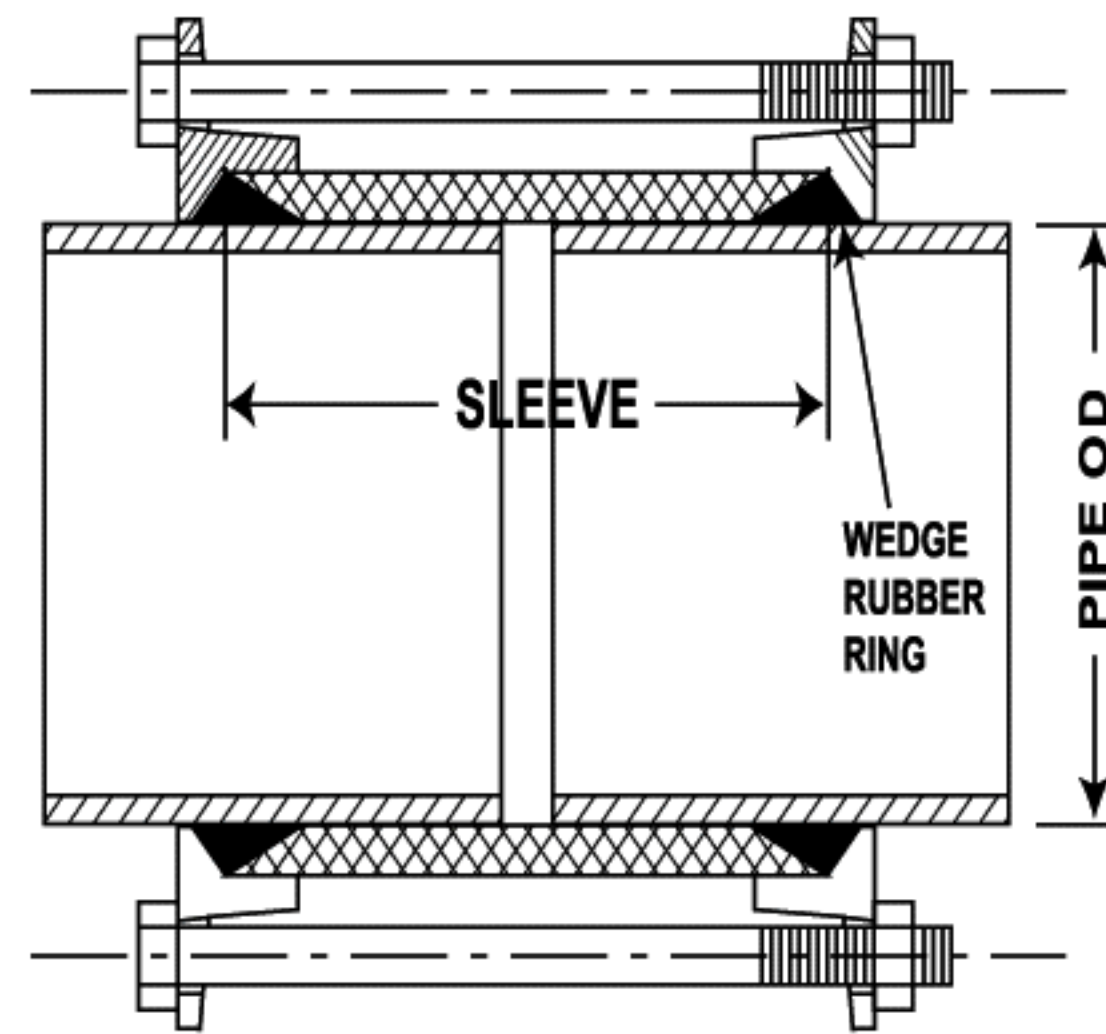
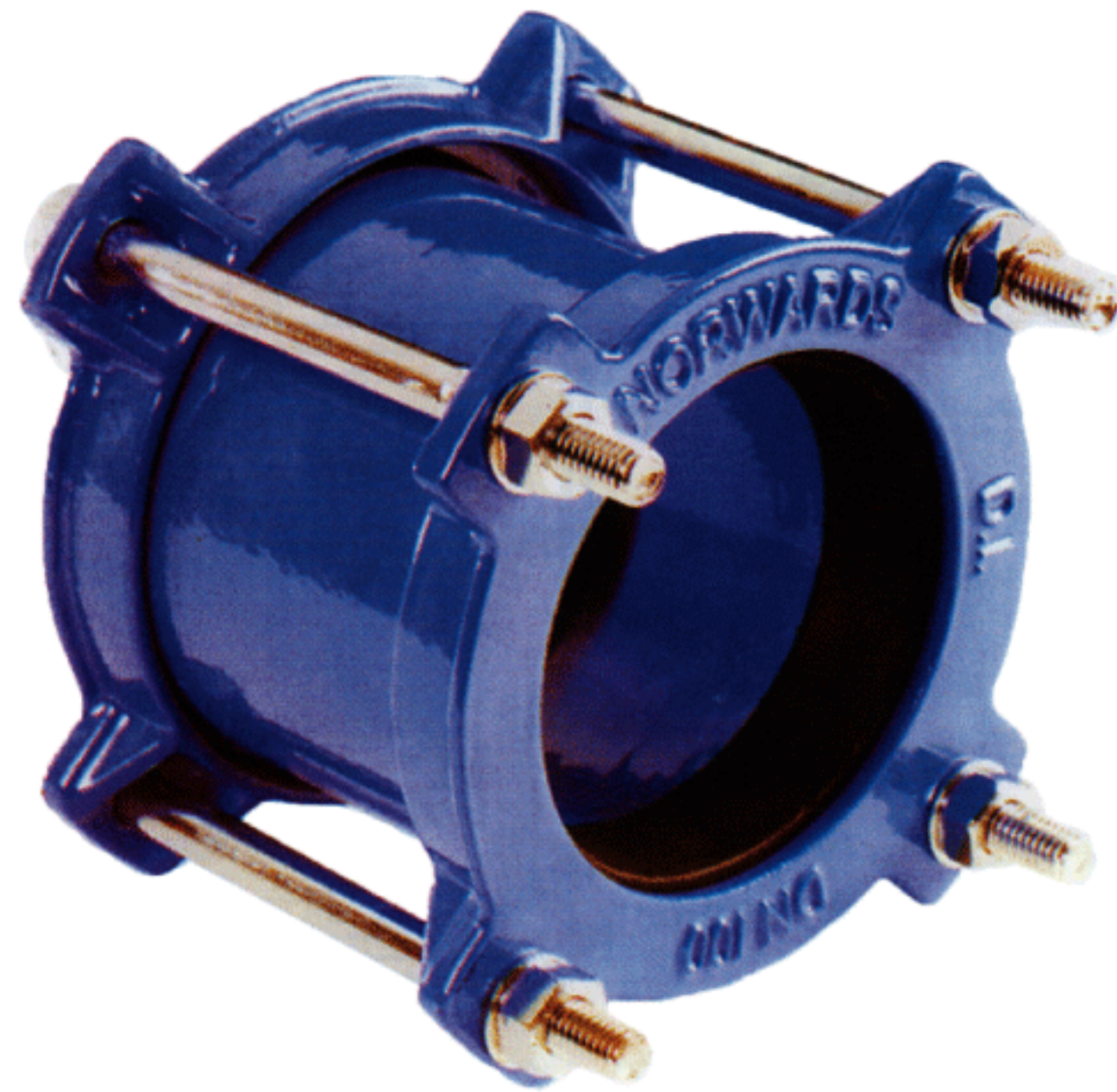


DUCTILE IRON MECHANICAL STRAIGHT COUPLING



DN80-DN1200

(TO JKR SPECIFICATION 20200-0048-99)



MECHANICAL STRAIGHT COUPLING

For

Ductile Iron Pipe To MS 1919/
BSEN 545 & BSEN 598

Nom DIA mm	DI Pipe OD mm	Sleeve Length mm	BOLTS & STUDS	
			No. Of Studs	Size & Lgth of Studs
80	98	100	4	1/2 " x 165mm
100	118	100	4	1/2 " x 165mm
150	170	100	4	1/2 " x 165mm
200	222	100	4	1/2 " x 165mm
250	274	100	6	1/2 " x 165mm
300	326	100	6	1/2 " x 165mm
350	378	155	8	5/8 " x 215mm
400	429	155	8	5/8 " x 215mm
450	480	155	10	5/8 " x 215mm
500	532	155	10	5/8 " x 215mm
600	635	155	10	5/8 " x 215mm
700	738	155	12	5/8 " x 215mm
800	842	155	12	5/8 " x 215mm
900	945	180	14	5/8 " x 255mm
1000	1048	180	14	5/8 " x 255mm
1100	1152	180	16	5/8 " x 266mm
1200	1255	180	16	5/8 " x 266mm

MECHANICAL STEP COUPLING

For

Ductile Iron Pipe To MS 1919/BSEN 545
Mild Steel Cement Line Pipe To TS Spec

Nom DIA mm	DI Pipe OD mm	MSCL Pipe OD mm	Sleeve Length mm	BOLTS & STUDS	
				No. Of Studs	Size & Lgth of Studs
80	98	89.0	100	4	1/2 " x 165mm
100	118	114.3	100	4	1/2 " x 165mm
150	170	168.3	100	4	1/2 " x 165mm
200	222	219.1	100	4	1/2 " x 165mm
250	274	273.0	100	6	1/2 " x 165mm
300	326	323.9	100	6	1/2 " x 165mm
350	378	355.6	155	8	5/8 " x 215mm
400	429	406.4	155	8	5/8 " x 215mm
450	480	457.0	155	10	5/8 " x 215mm
500	532	508.0	155	10	5/8 " x 215mm
600	635	610.0	155	10	5/8 " x 215mm
700	738	711.0	155	12	5/8 " x 215mm
800	842	813.0	155	12	5/8 " x 215mm
900	945	914.0	180	14	5/8 " x 255mm
1000	1048	1016	180	14	5/8 " x 255mm
1100	1152	1118	180	16	5/8 " x 266mm
1200	1255	1219	180	16	5/8 " x 266mm

NORWARDS INDUSTRIES SDN. BHD. (Company Reg. No.: 442356-M)

Tel : 603-8962 6626 (Hunting)

Fax : 603-8962 6636

Website : <http://www.norwards.com>

Email : sales@norwards.com